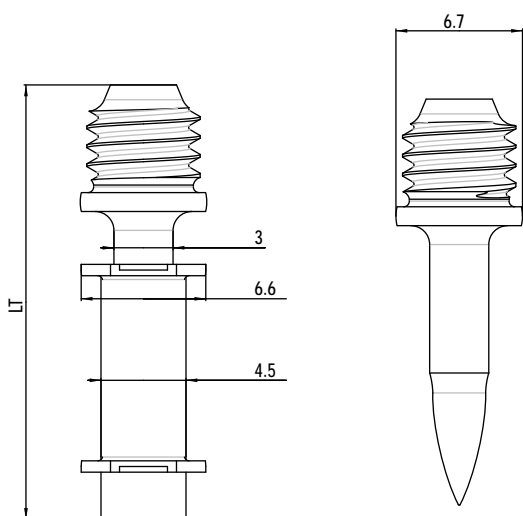


SPIT THC6-M6



DESCRIPTION

- Threaded pin, using in hard material

PROPERTIES MATERIAL

Shank in carbon steel

- Total length Lt : 21, 26 mm
- Thread M6
- Thread height : 6 mm
- Mechanical zinc plating, min zinc coating 10 µm
- Hardness 56 ≥ HRc

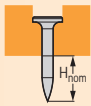

TOOLS

P700 E - P700 P

NAIL LENGTH SELECTION

THC6-M6 range	Length shank	500 pcs/box
THC6-M6-6/21	21	053213
THC6-M6-6/26	26	053214

RECOMMENDED LOAD

THC6-M6 range		Characteristic resistance		Recommended load	
		N _{Rk} (kN)	V _{Rk} (kN)	N _{Rec} (kN)	V _{Rec} (kN)
 C20/25 to C60/70	H _{nom} = 14 mm	0.77	0.75	0.26	0.25
	H _{nom} = 18 mm	1.19		0.40	

Minimum 5 fixings per part fastened

APPLICATION LIMIT



Concrete: C50/60



Prestressed - Prefabricated concrete C60/70